



water solutions

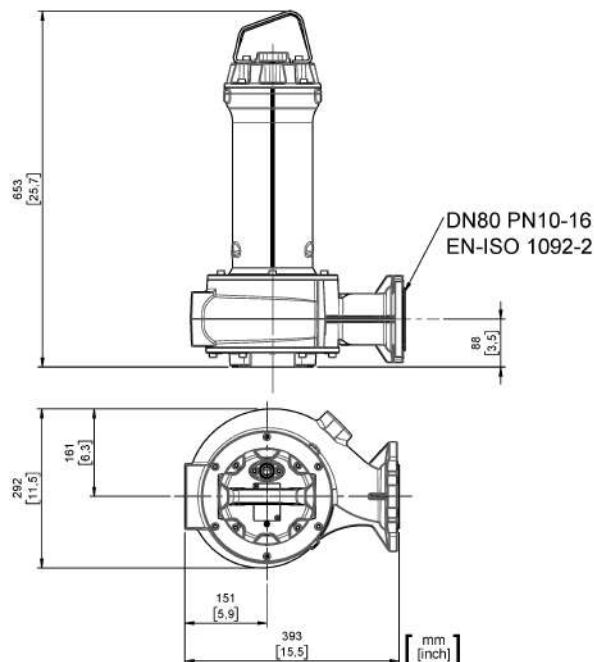
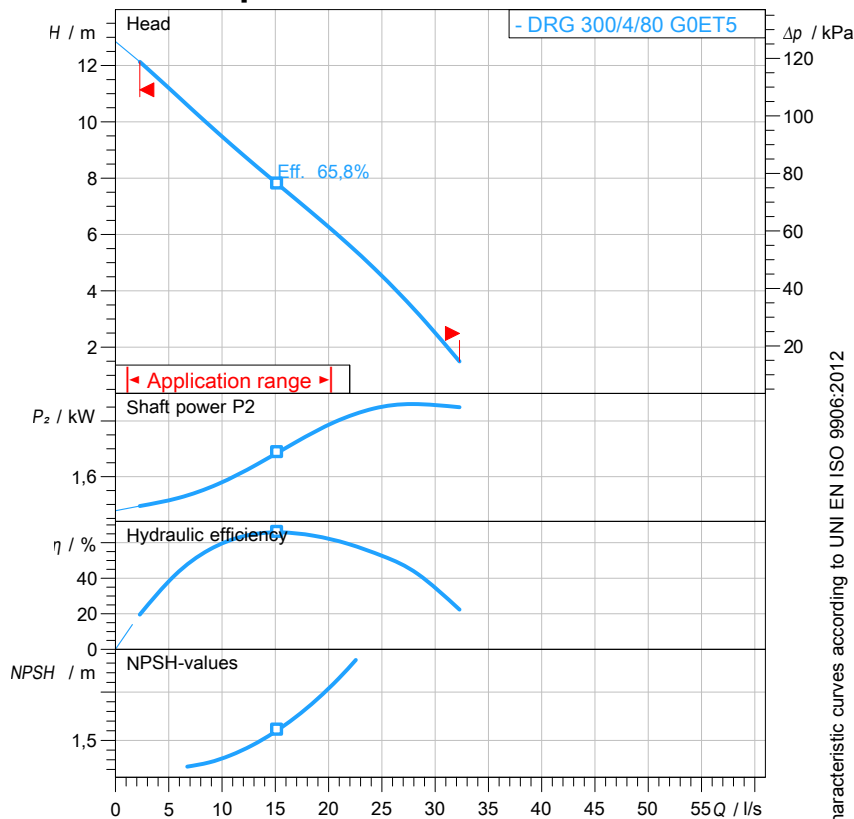
Data sheet

## DRG 300/4/80 G0ET5

GREY  
series

## Technical specification

3~ 50 Hz



## Pump

Series	GREY series
Pump name	DRG 300/4/80 G0ET5
Configuration	NGTAB51040N00NN
Standard	EN 809:2009

## Motor data

Rated voltage	400 V
Frequency	50 Hz
Motor phases	3~
Number of poles	4
Rated power $P_2$	2,2 kW
Incoming power $P_1$	2,7 kW
Rated current	5,15 A
rpm	1410 1/min
Efficiency	81,5 %
$\cos \varphi$	0,77
Rated torque	14,9 Nm
Start	Direct starting
Degree of protection	IP 68
Insulation class	H

## Hydraulic

Type	DR (Multi-channel open)
Free passage	75 mm
Impeller type	Open channel impeller
Max. hydraulic efficiency	65,8 %
Suction	DN 80 UNDRILLED
Discharge	DN 80 EN 1092-2
Curve tolerance	UNI EN ISO 9906:2012

## Operating limits (standard pumps)

Max. ambient temperature	40 °C
Max. density treated liquid	1 100 kg/m <sup>3</sup>
Max. immersion depth	20 m
pH treated liquid	6 ÷ 14
Max. start per hour (equally distributed)	30
Wet/dry use	WET
Max. acoustic pressure level	70 dB
Operating mode	S1 - Continuous use

## Construction materials

Case	Cast iron EN-GJL 250
Shaft	Stainless steel - AISI 431
Hydraulic	Cast iron EN-GJL 250
Impeller	Cast iron EN-GJL 250
Painting/Coating	Bi-epoxy 150 $\mu$ m
Screws	Stainless steel - Class A2-70
Gaskets	NBR

## Construction features

Cooling system	No cooling jacket
Main cable	4G1,5 + 3x1
Cable length	10 mt
Mechanical seals	2 in silicon carbide (2SiC)
Additional drilling	-
Weight*	72,6 kg
Electrical variant	Thermal protection

\* cable, stand and guiding system excluded

Rev. 0 - 16-12-2014

All data shown are not binding. Zenit reserves the right to change data and dimensions without notice.

Created on 2018-03-29

Zenit.com

Page 1 / 3



water solutions

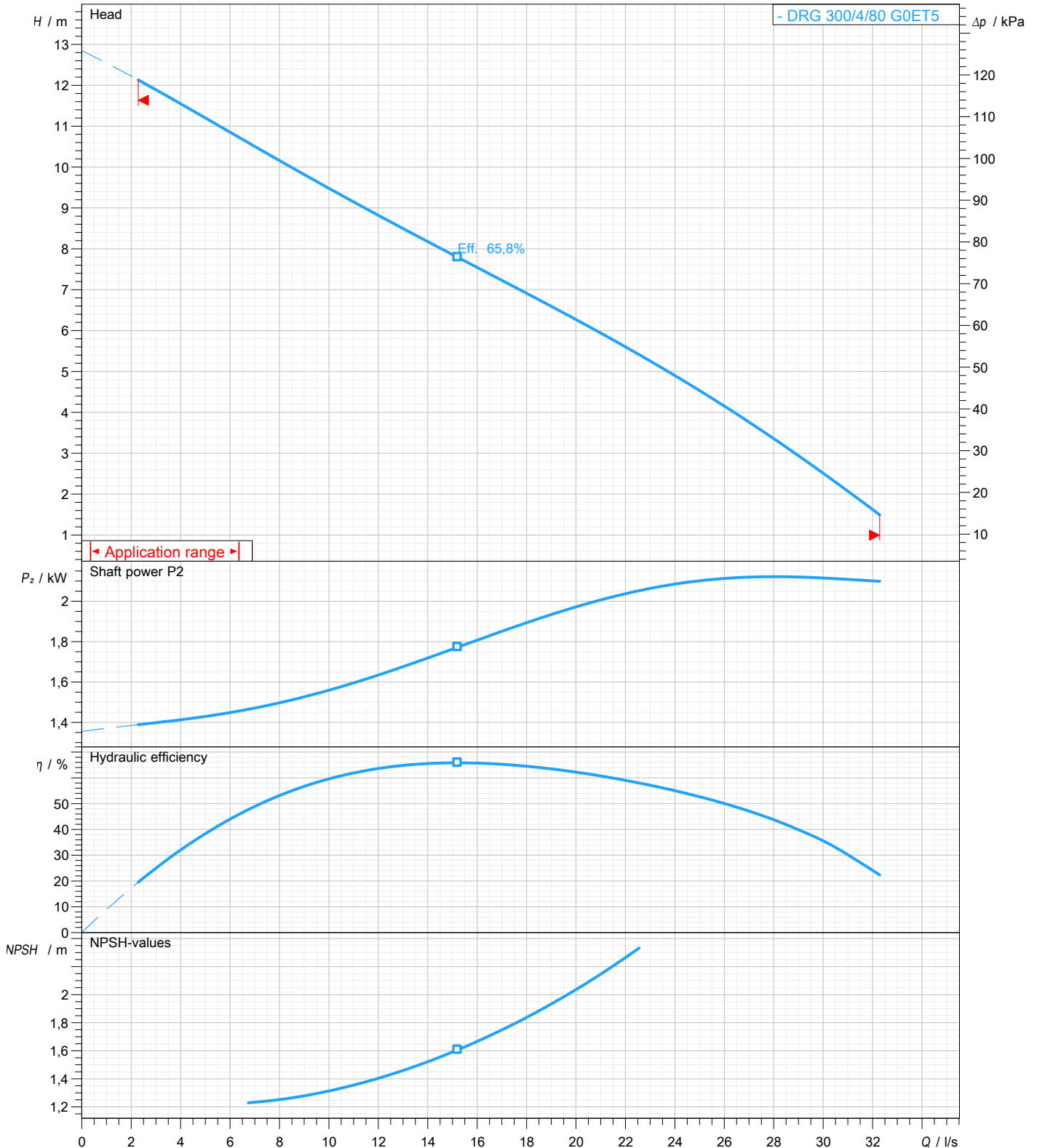
# Data sheet DRG 300/4/80 G0ET5

GREY  
series

## Pump performance curves

3~ 50 Hz

<b>Hydraulic type</b> DR (Multi-channel open)		<b>Impeller type</b> Open channel impeller		<b>Free passage</b> 75 mm	<b>Discharge</b> DN 80	<b>Suction</b> DN 80
<b>DUTY POINT</b>						
<b>Flow</b>	<b>Head</b>	<b>Shaft power P2</b>	<b>Hydraulic efficiency</b>	<b>Density</b> 998,3 kg/m <sup>3</sup>	<b>Viscosity</b> 1,005 mm <sup>2</sup> /s	



Characteristic curves according to UNI EN ISO 9906:2012



water solutions

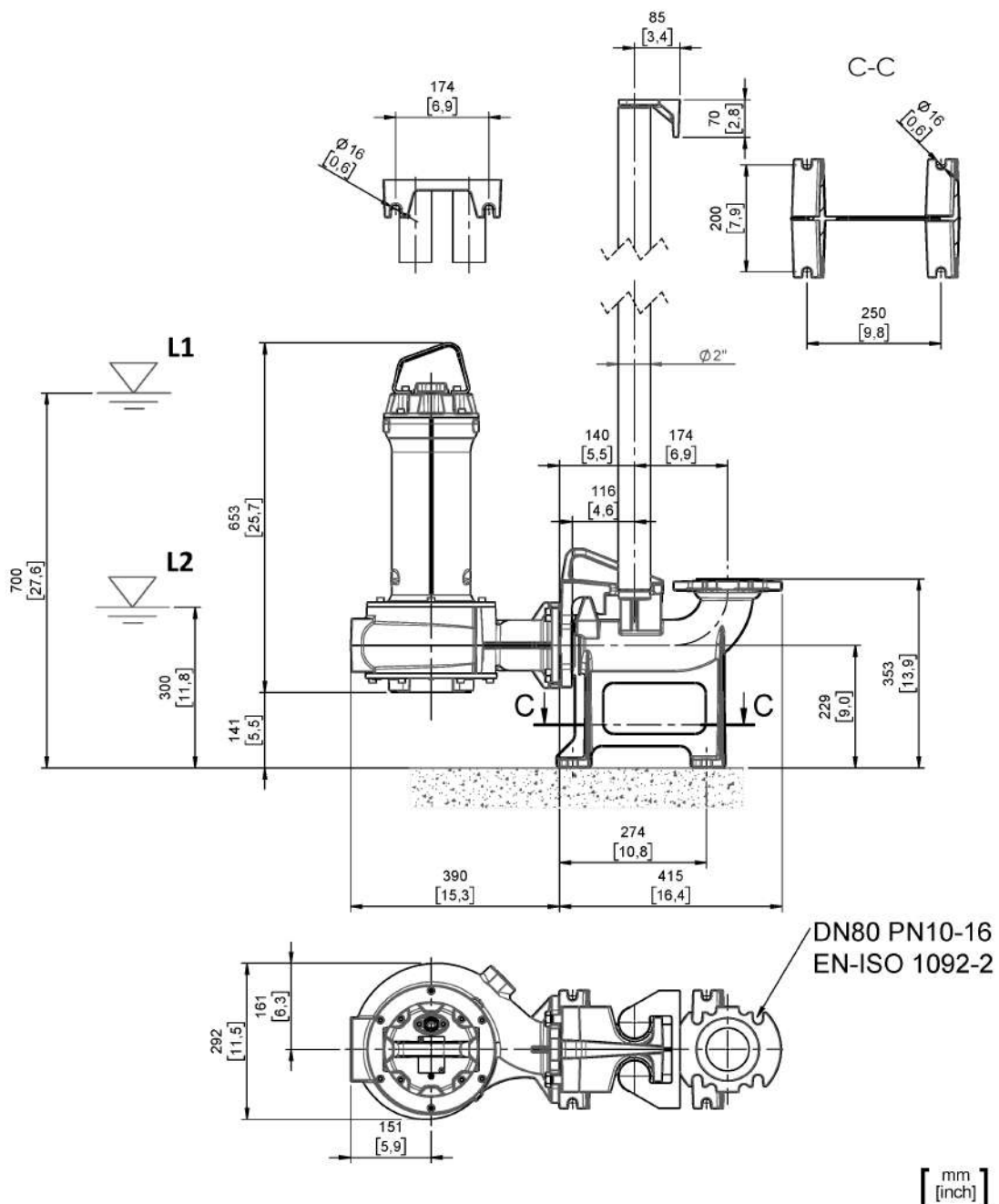
# Data sheet DRG 300/4/80 G0ET5

GREY  
series

## Dimensional drawing

3~ 50 Hz

<b>Installation type</b> Installation with bottom coupling device - Vertical outlet		
<b>Wet/dry use</b> WET	<b>Drilling variant</b> N	<b>Flushing valve - drilling</b> -
<b>Discharge</b> DN 80 EN 1092-2	<b>Suction:</b> DN 80 UNDRILLED	<b>Pressure rating (suction/discharge)</b> -/PN 10
<b>Accessory</b> DAC 80/80V+KAF 116-2" EN (P)		<b>Accessory code</b> 9001.032
<b>Note: Accessory must be ordered separately</b>		



L1: Minimum operating level for continuous use

L2: Minimum operating level for discontinuous use (only "WET" version)